
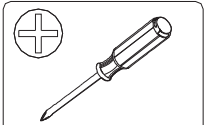
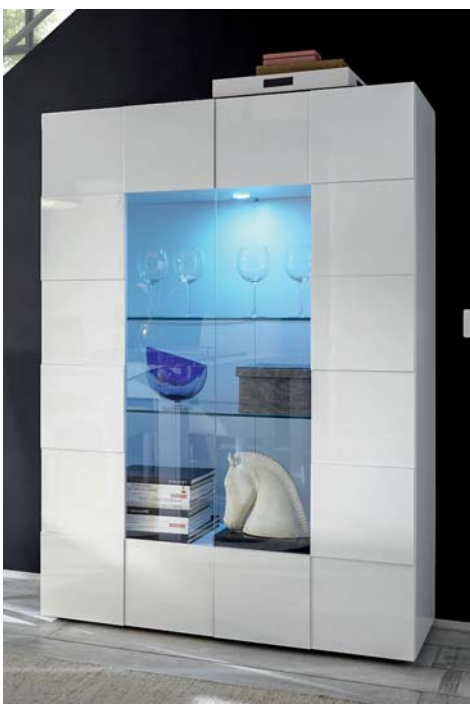
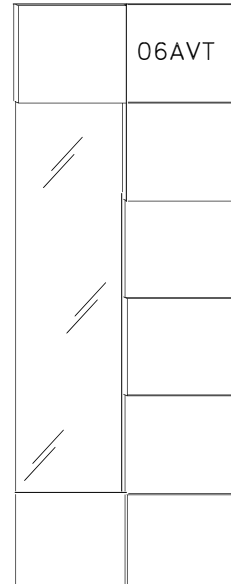
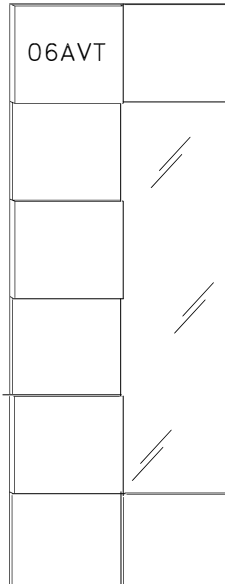
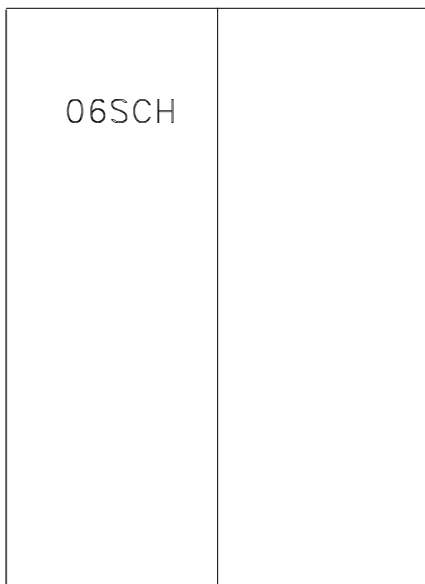
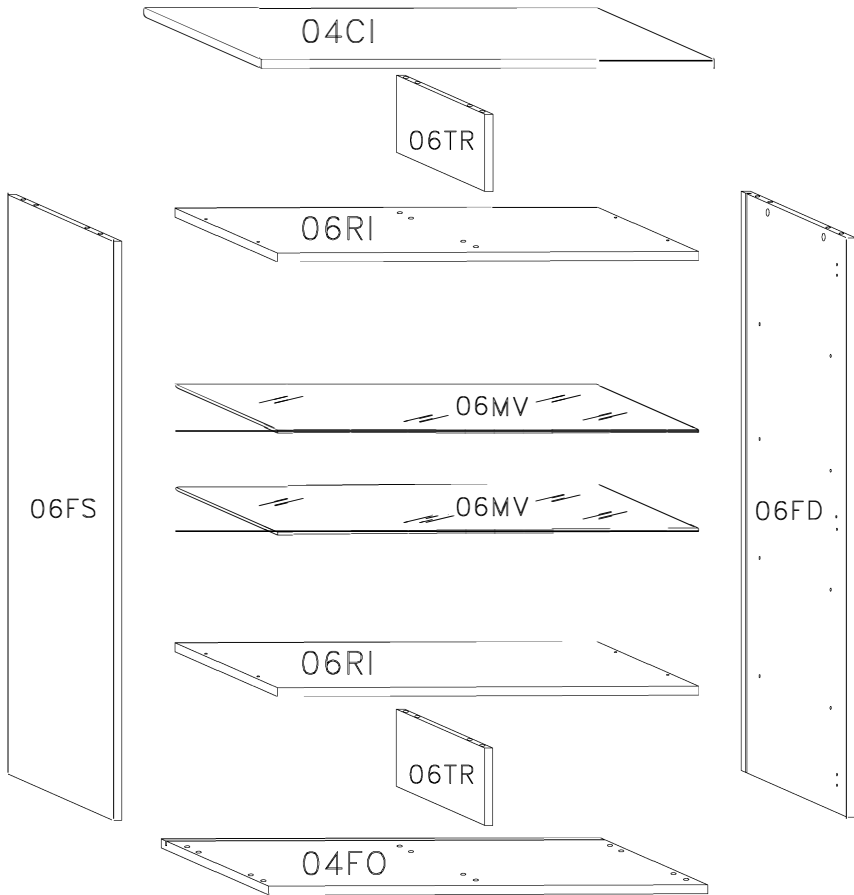
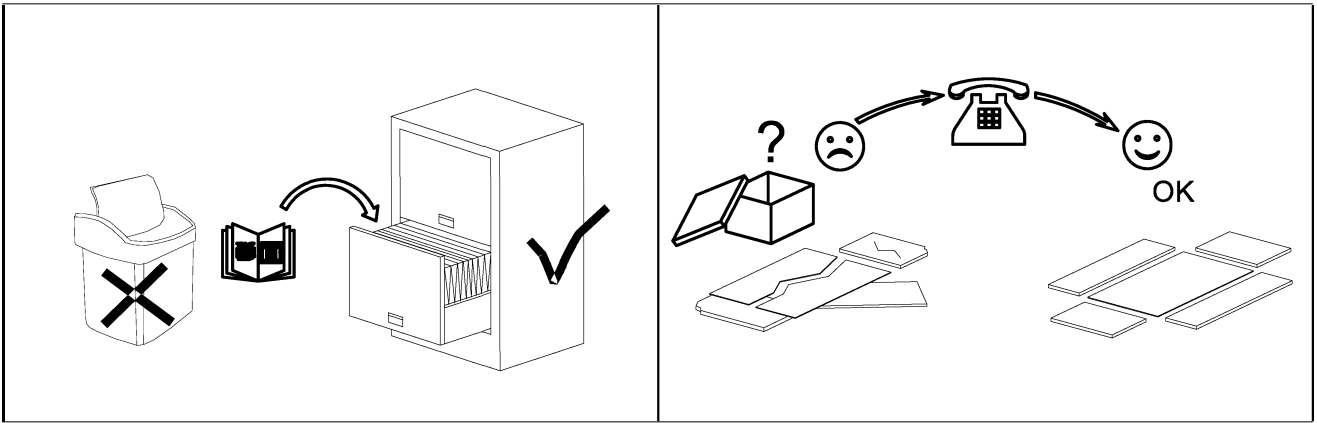
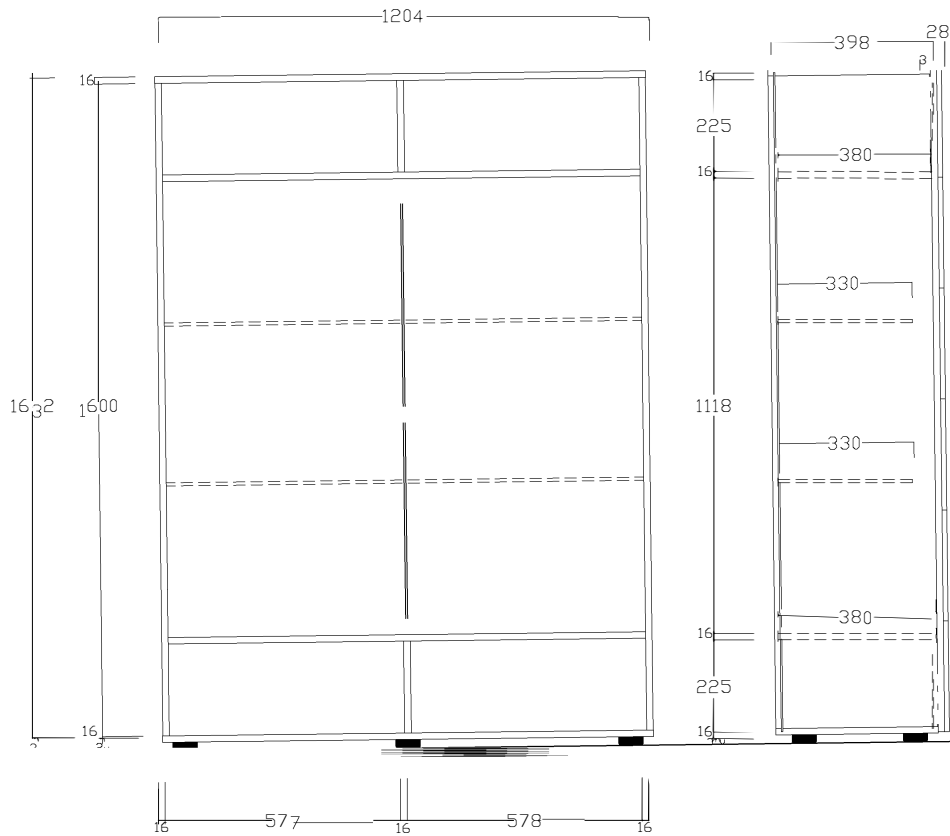
 <p>120 Min.</p>		
---	---	--







209008-06CF

B



8x30 mm.

x16 P

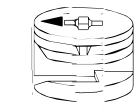
L4530



4.5x30 mm.

x5

C



∅16 mm.

x12 R1



x4

D



7x60 mm.

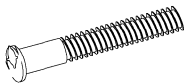
x12 M9



6x9 mm.

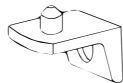
x8

E



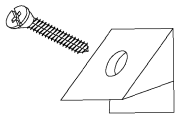
7x60 mm.

x4 R2



x8

F



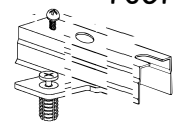
x14 ∅20 mm.



x12

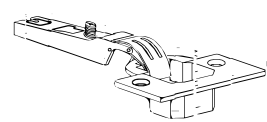
H2T

703790-30CC



x6

C0



x6

L15

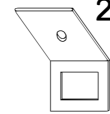


4x15 mm.

x12

T

203565-04CF



x1

L3

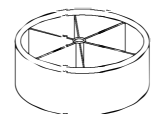


4x18 mm.

x1

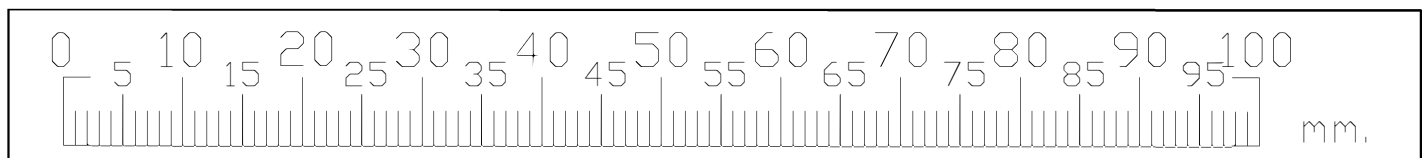
F21

205124-06PIE



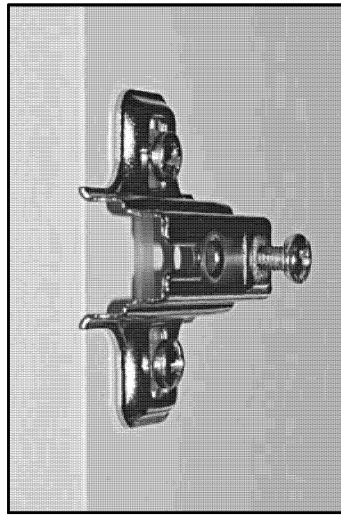
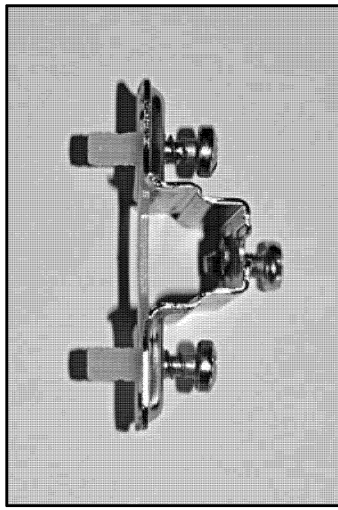
∅ 60 mm
h 20 mm

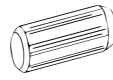
x5

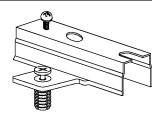


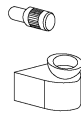
1

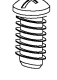
H2T

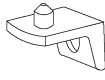


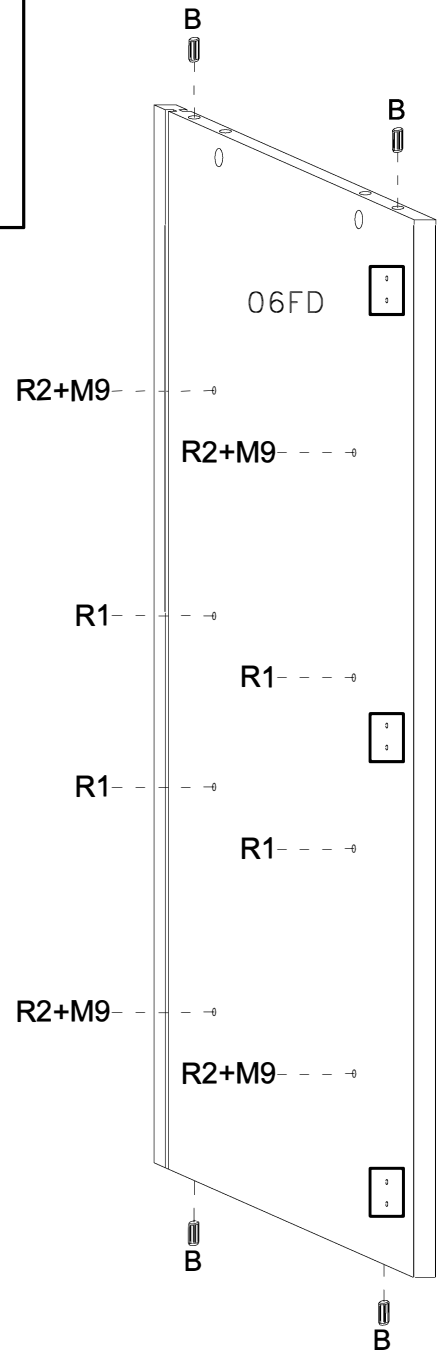
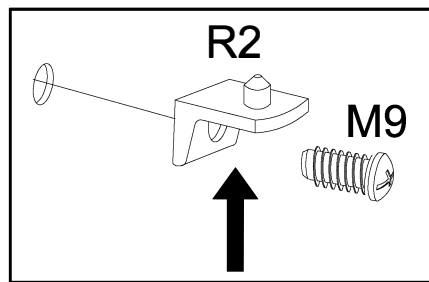
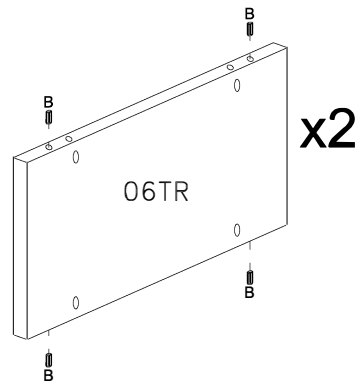
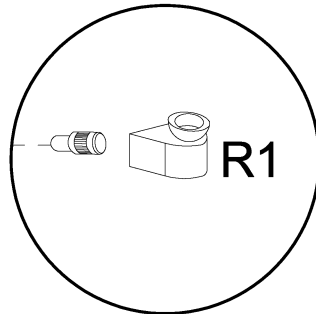
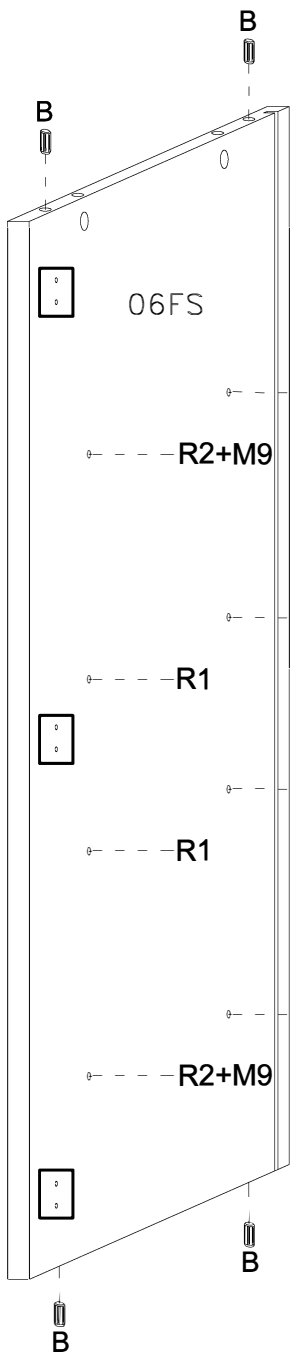
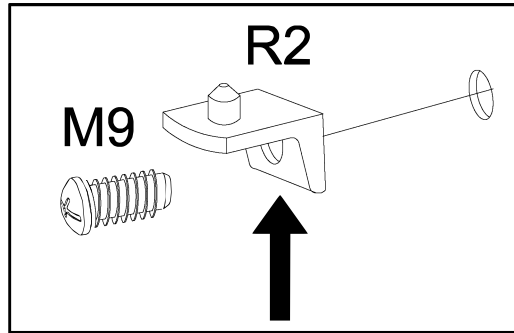
B  8x30 mm. **x16**

H2T  **x6**

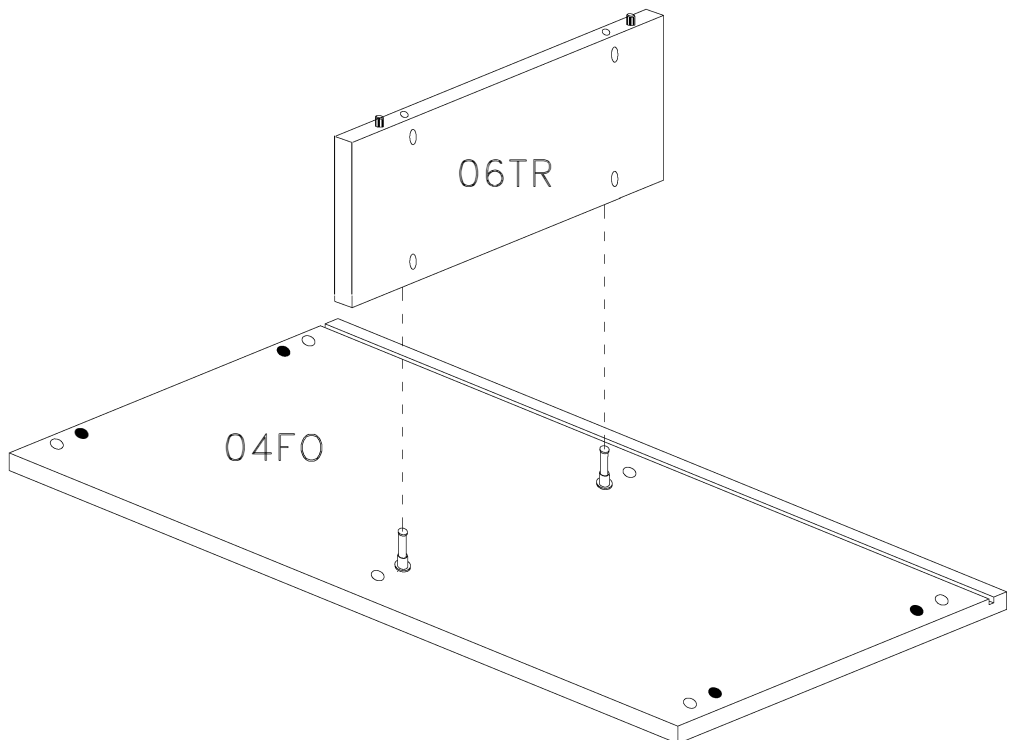
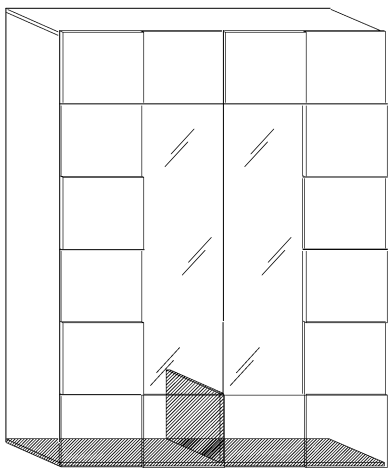
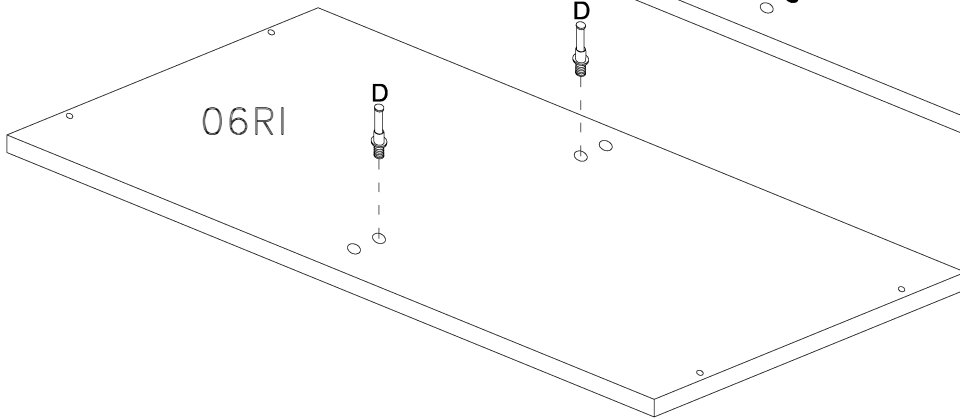
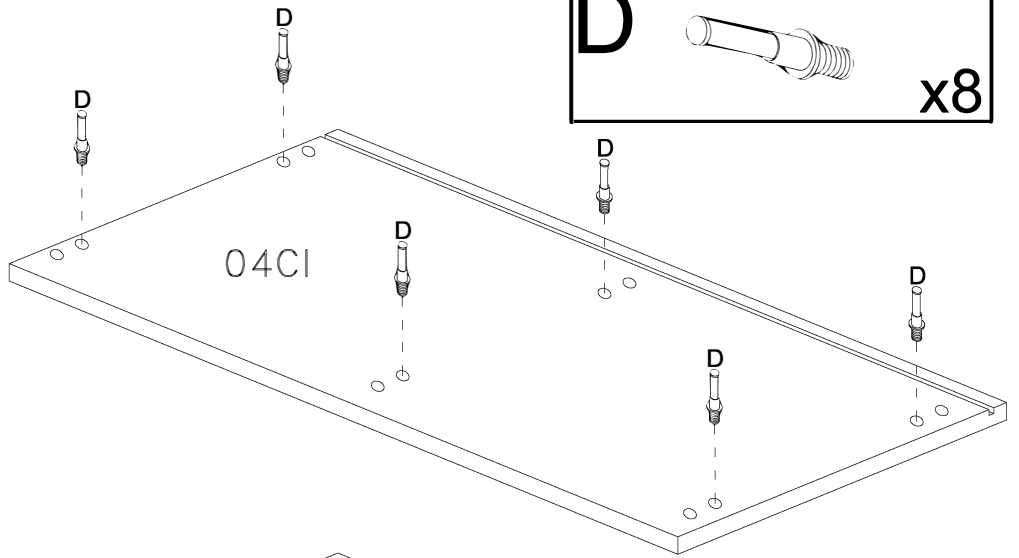
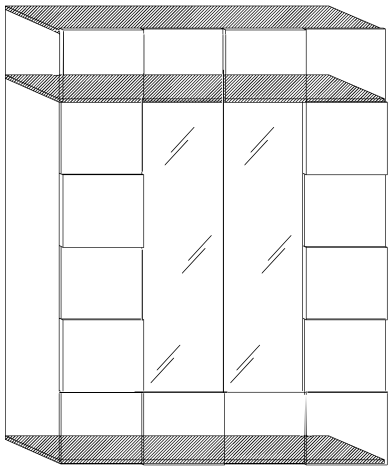
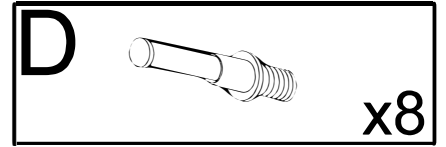
R1  **x8**

M9  6x9 mm. **x8**

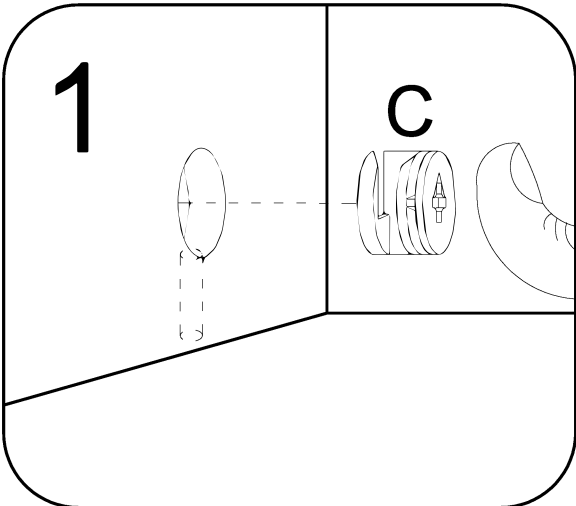
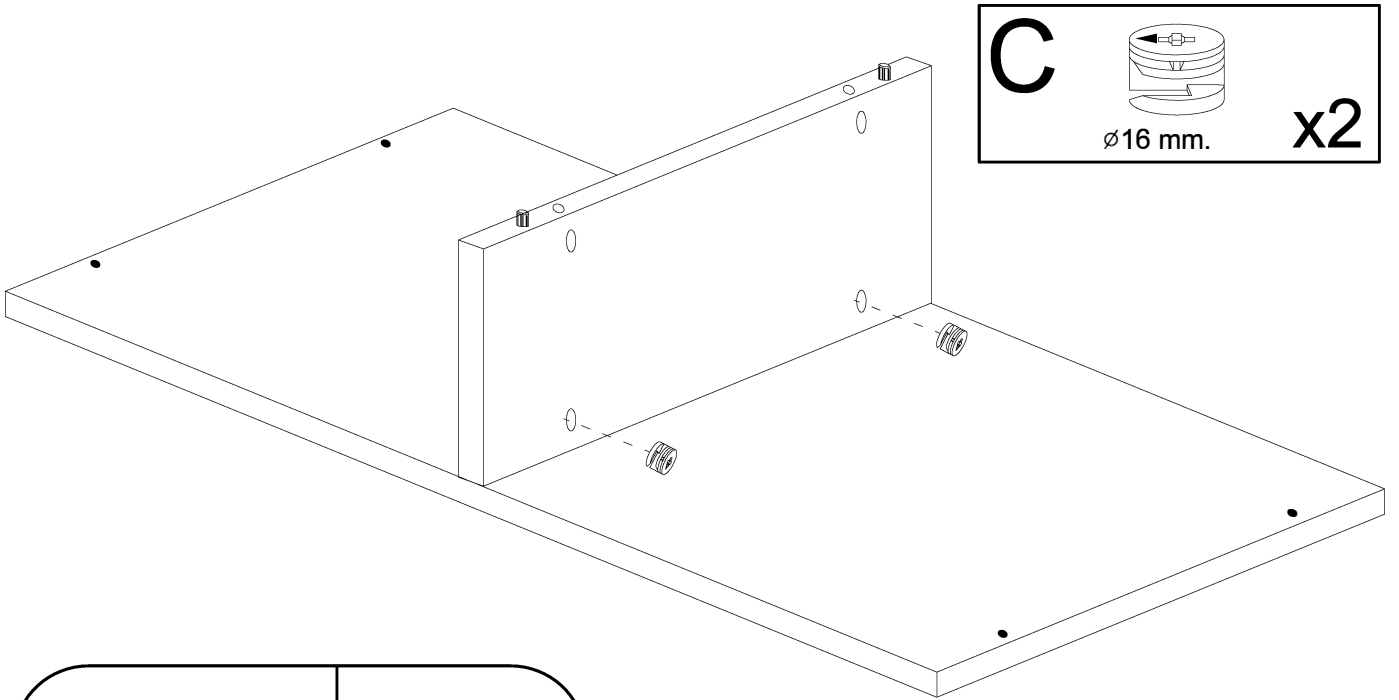
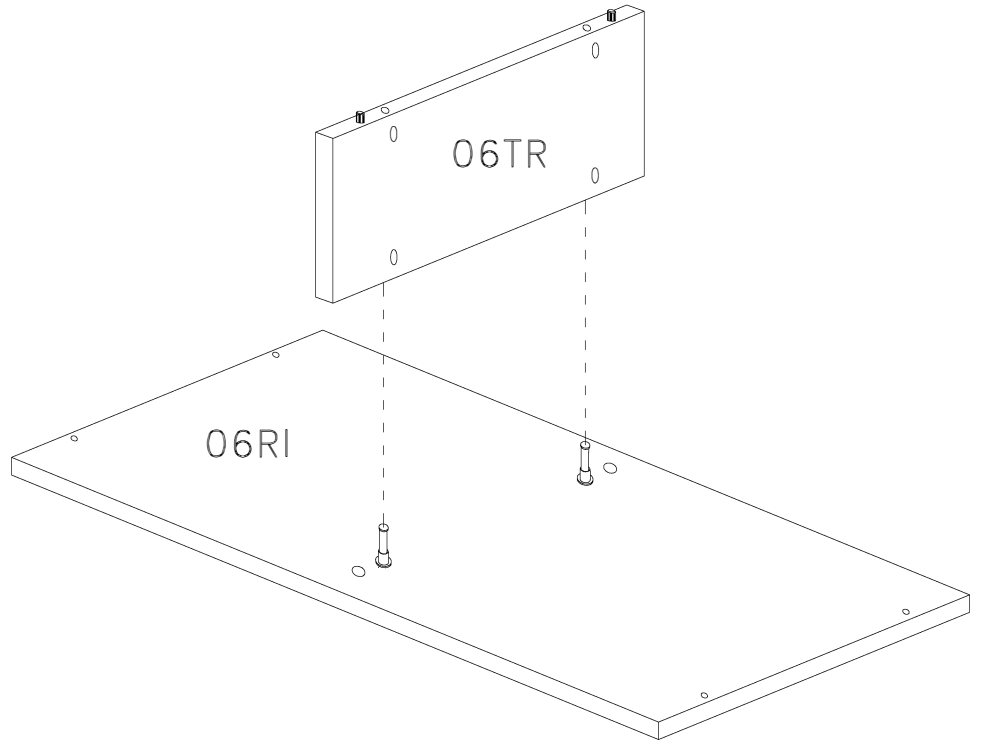
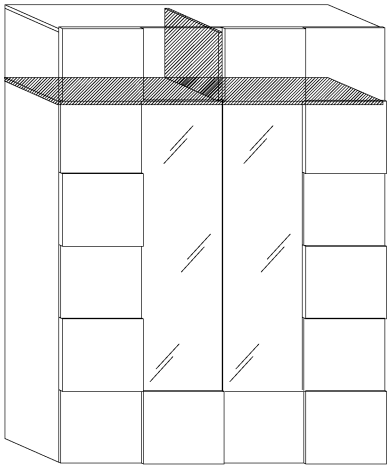
R2  **x8**



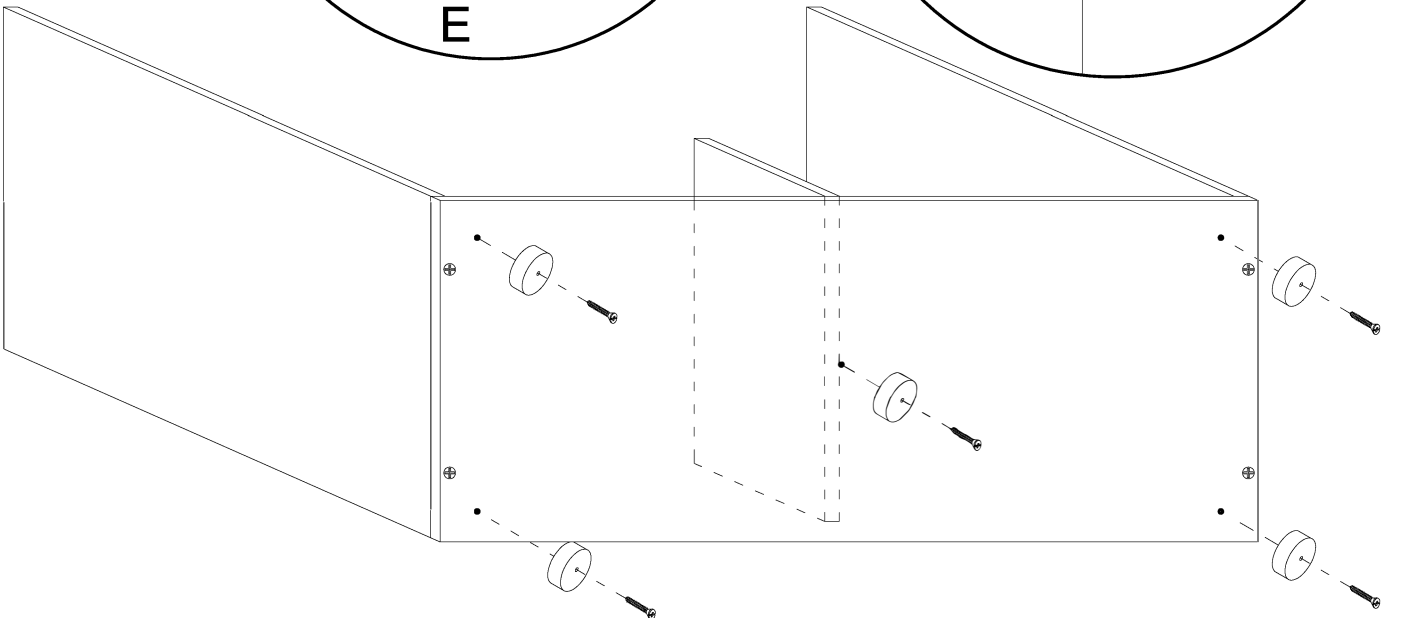
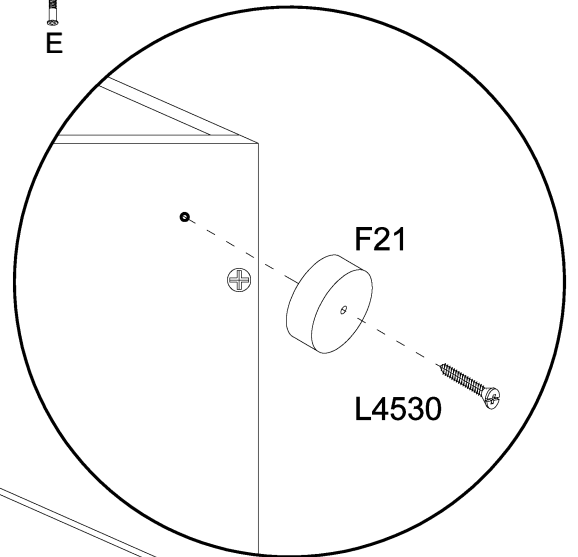
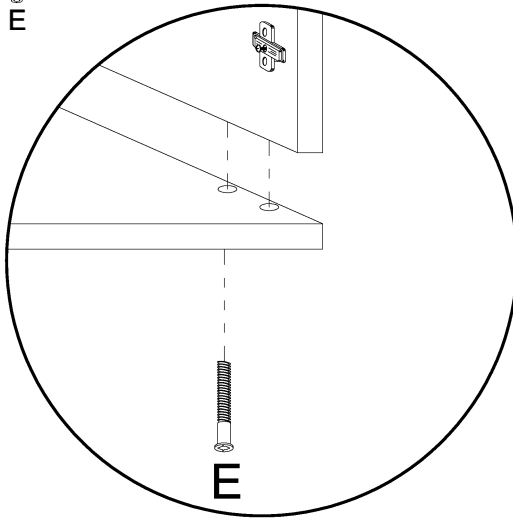
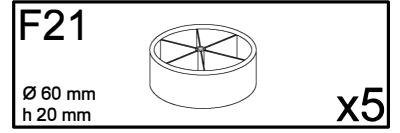
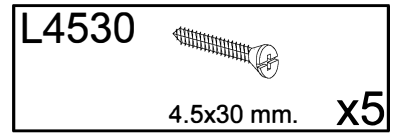
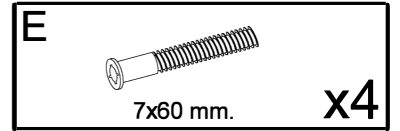
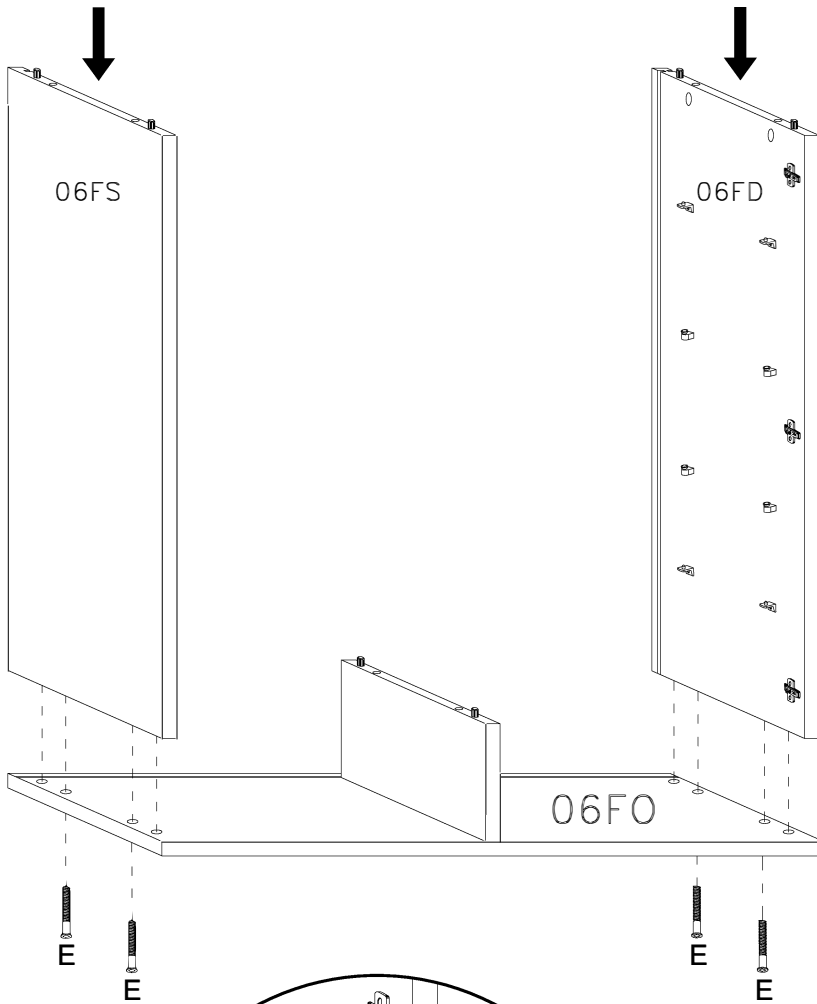
2



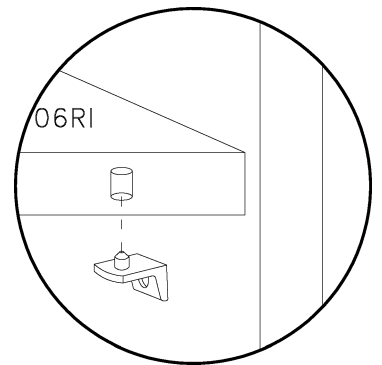
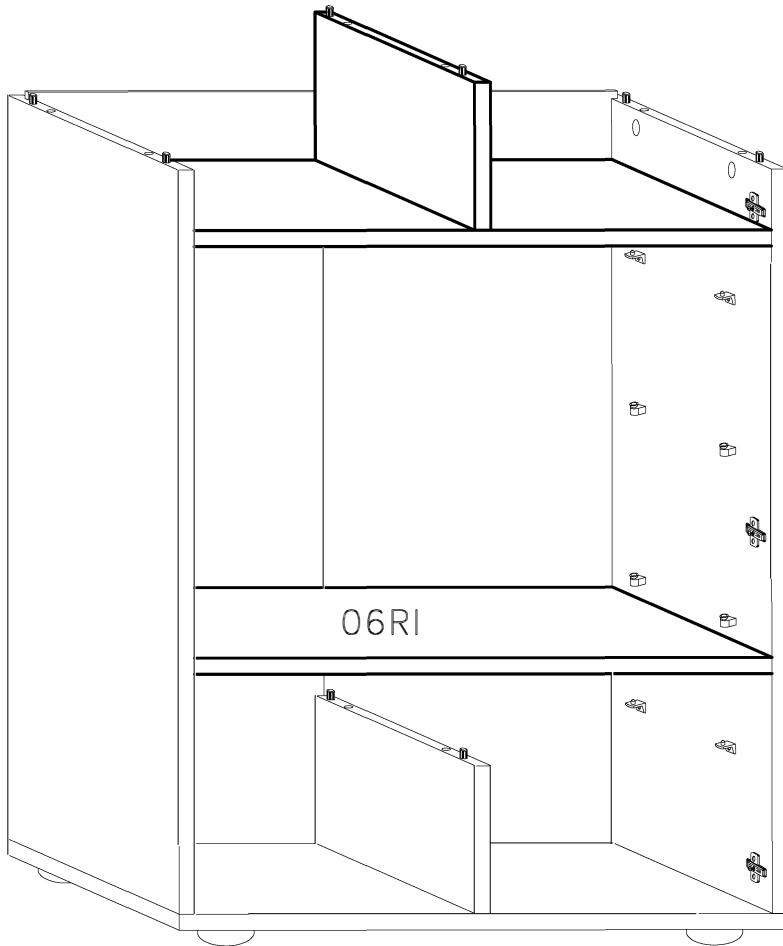
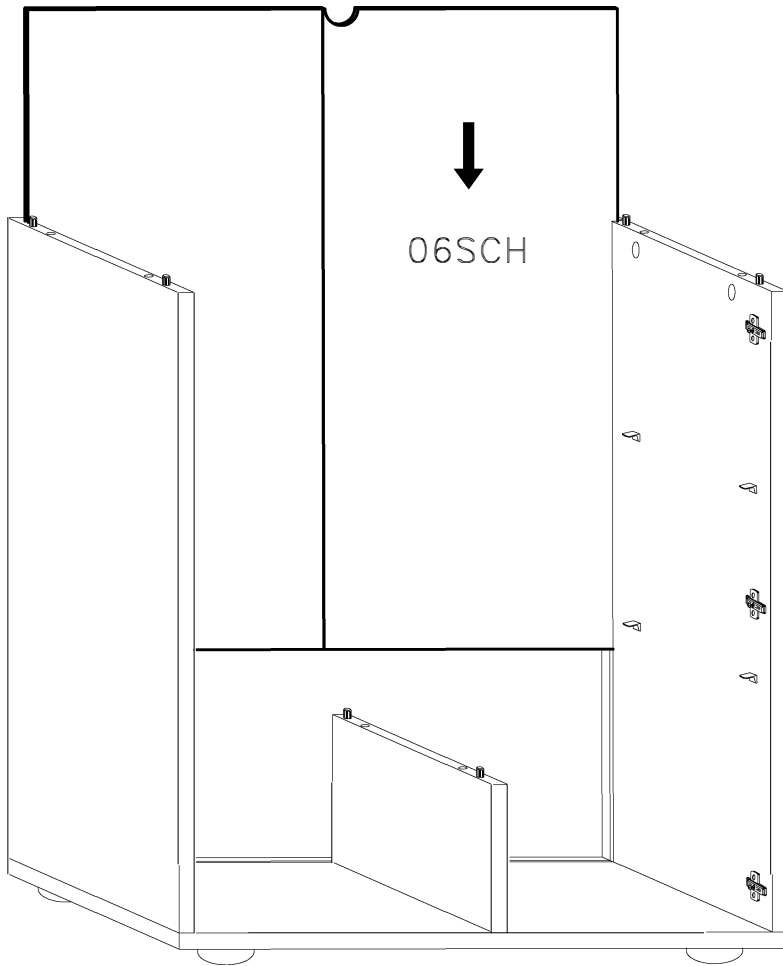
3



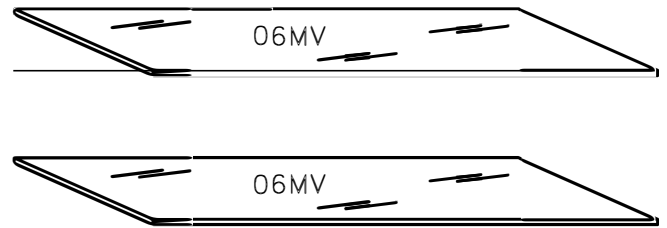
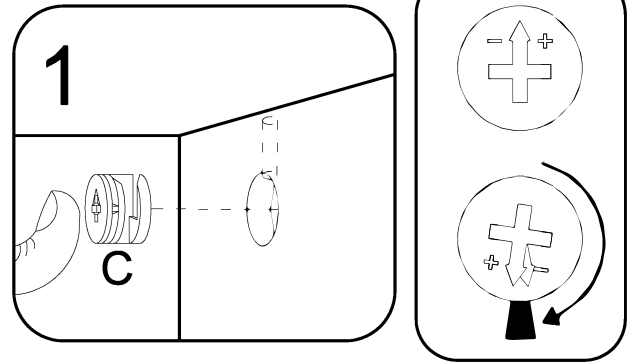
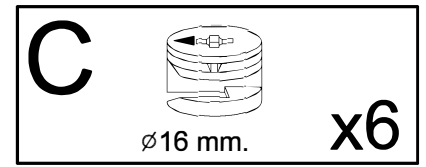
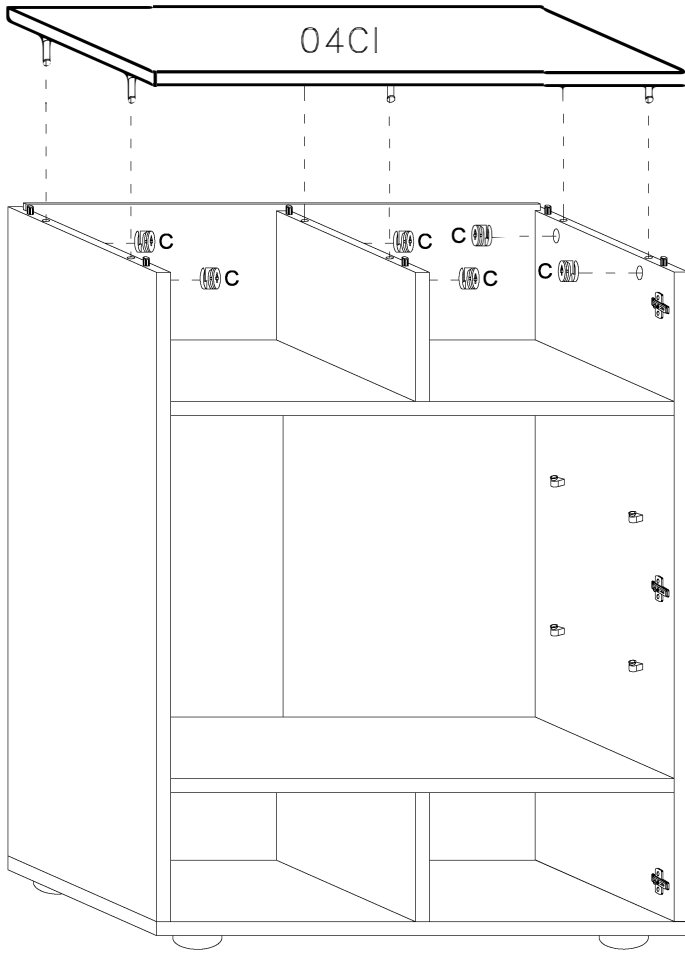
4



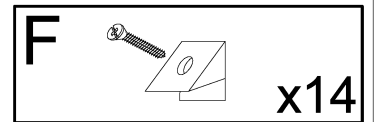
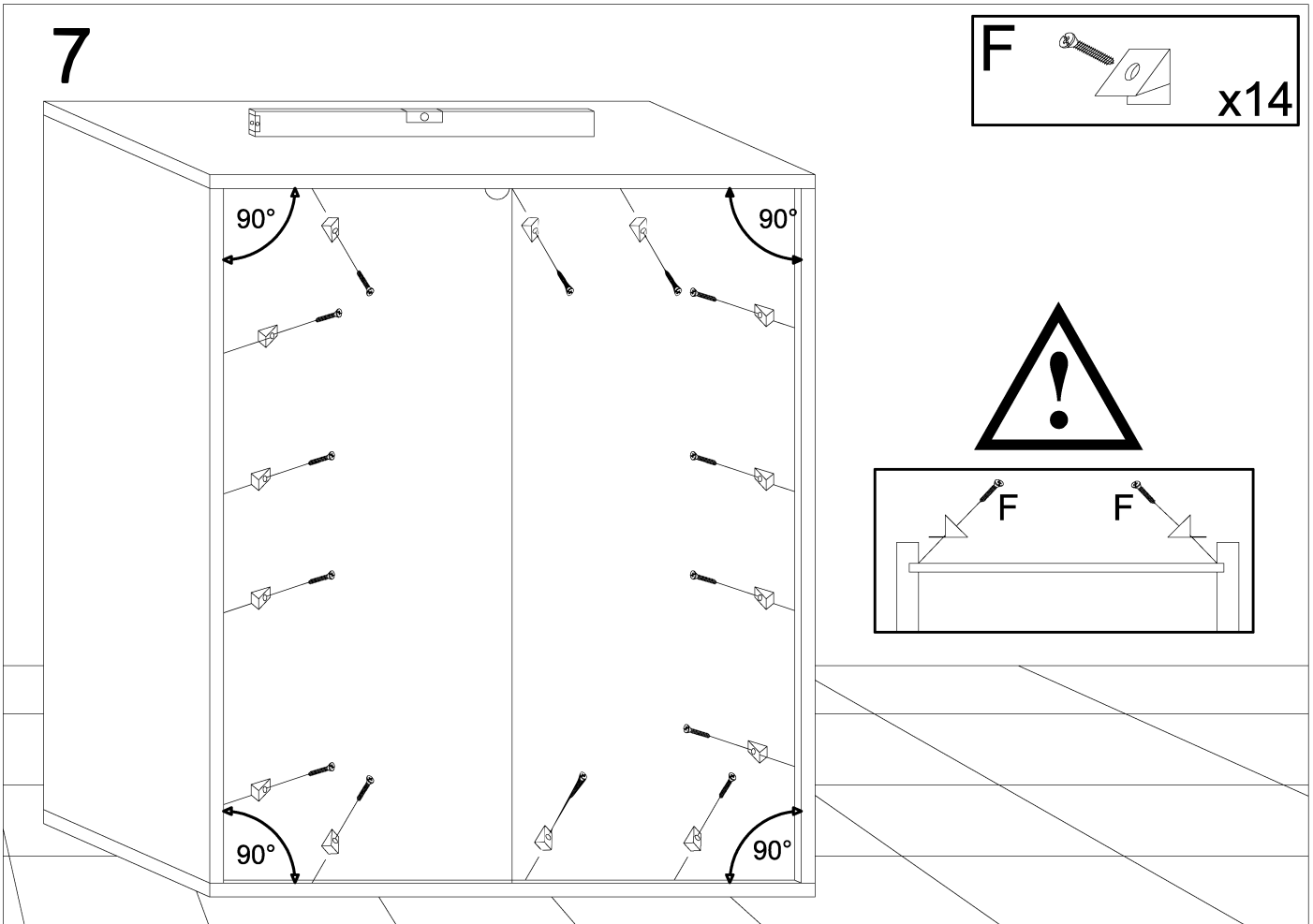
5



6

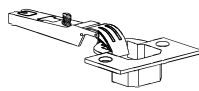


7



8

C0



x6

L15



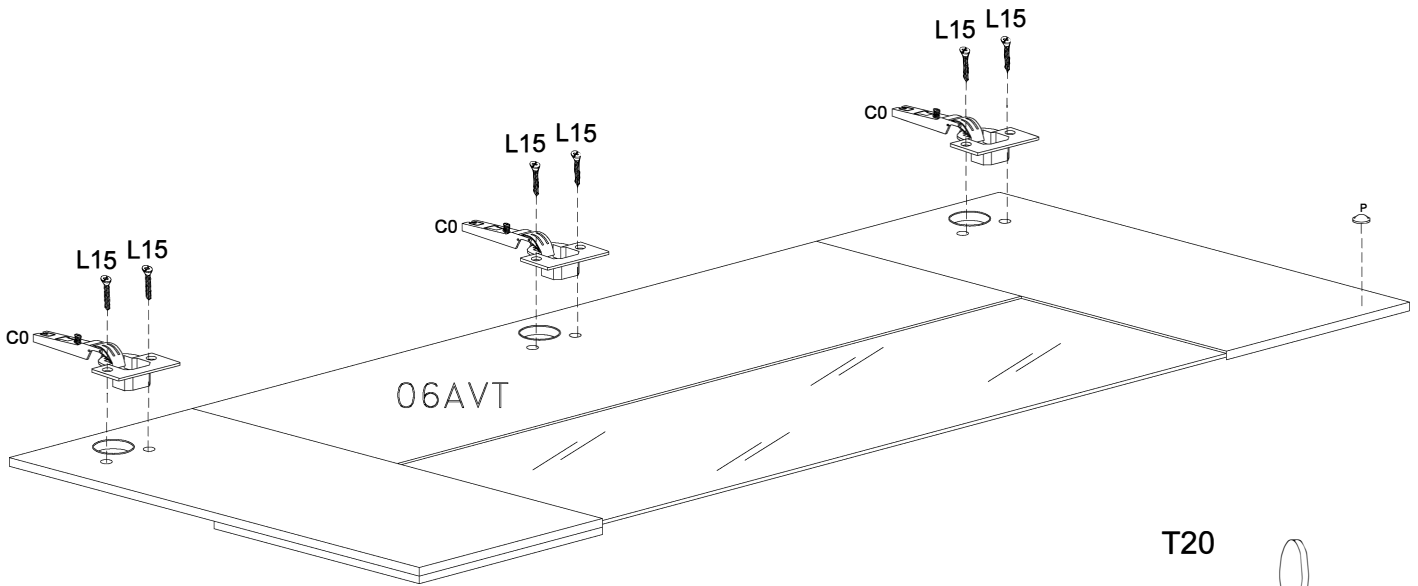
4x15 mm.

x12

P



x2

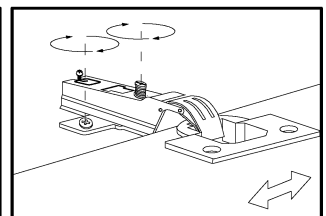
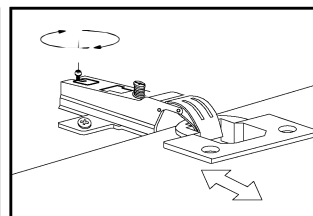
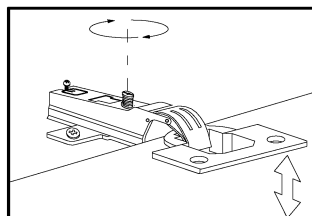
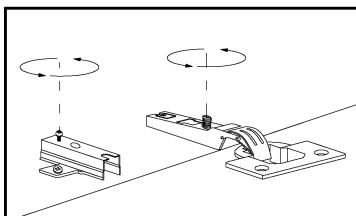
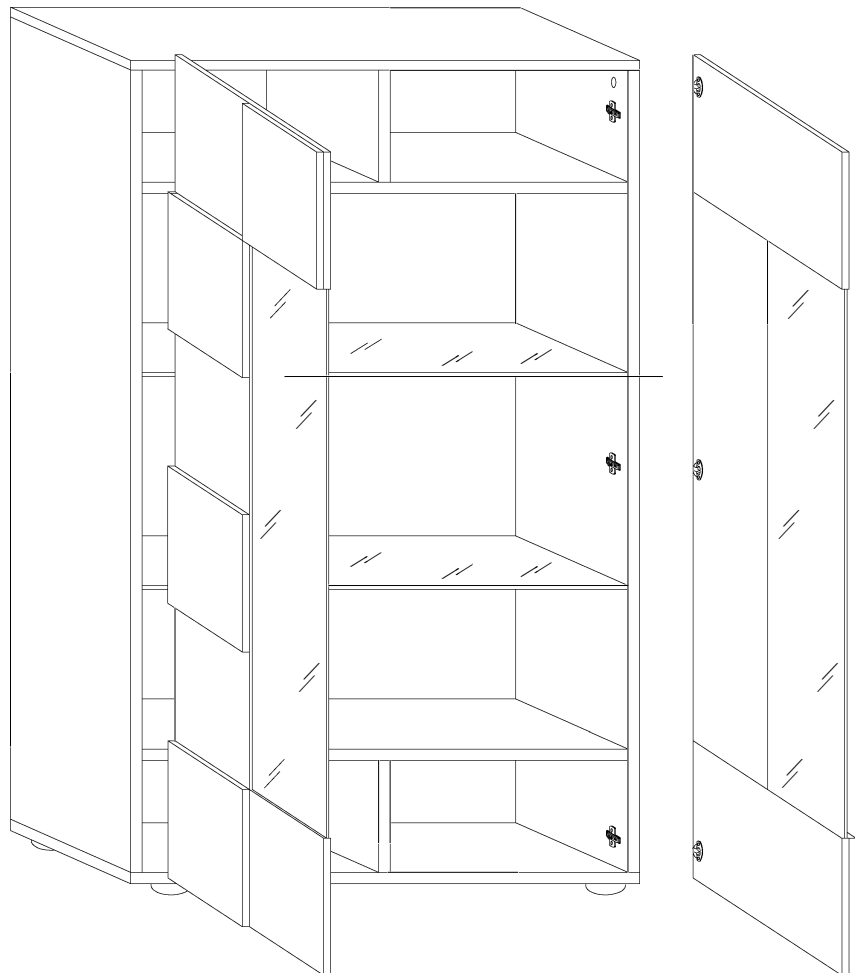
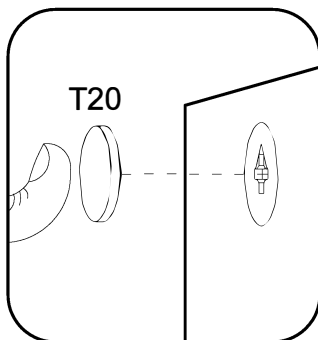


T20

Ø20 mm.



x12



9

